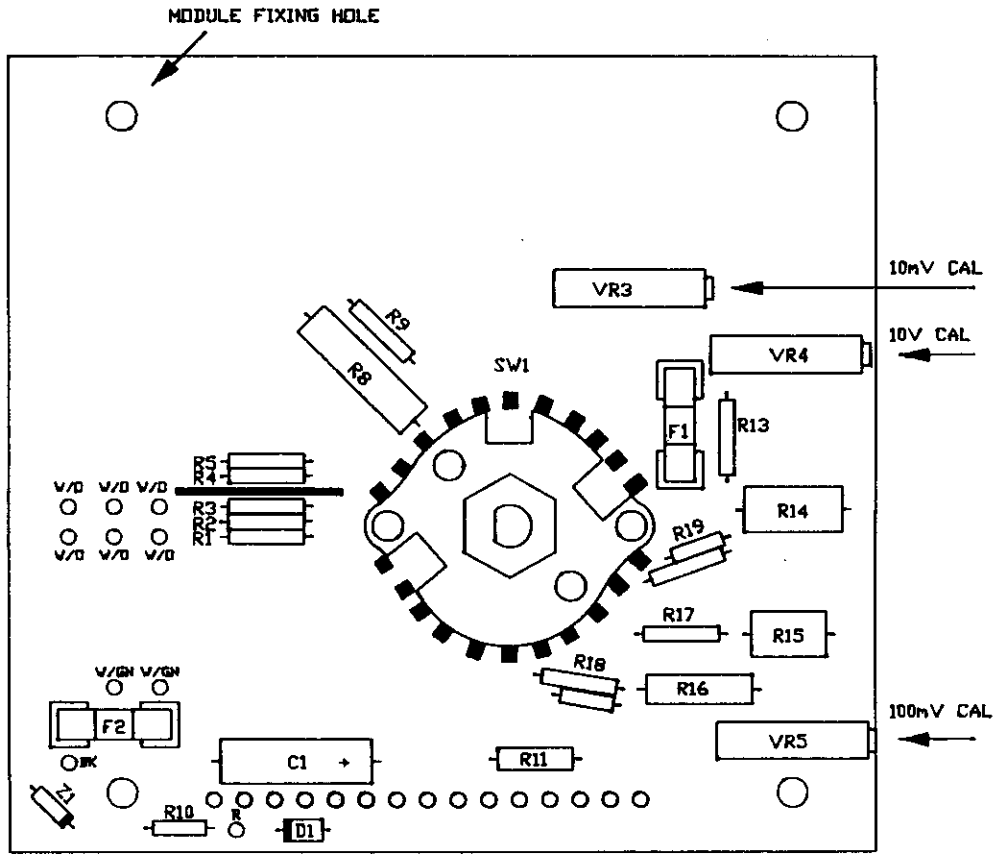


ISSUE	CHANGES
8	Redrawn with CAD 27/6/85 B.D.



TIME  
ELECTRONICS  
LTD

DRAWN	J.A.B.	TITLE
APPRD		
SCALE	1 : 1	
DATE	2/1/75	

2003S FRONT PANEL PCB: PHYSICAL LAYOUT

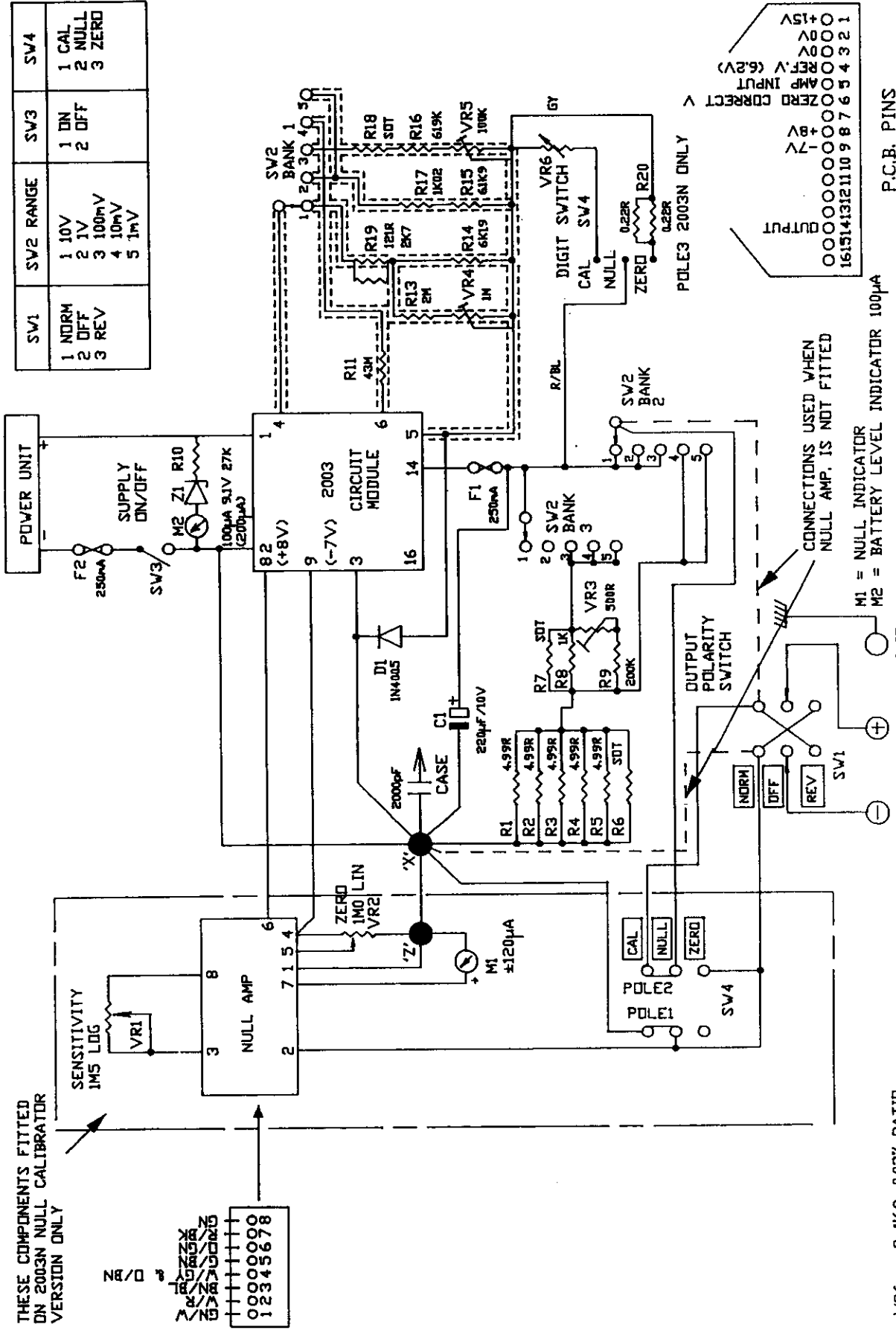
THE CONTENTS OF THIS DRG MUST NOT BE COPIED OR USED WITHOUT PRIOR WRITTEN CONSENT OF TIME ELECTRONICS LIMITED

DRG No 1010L01



ISSUE D  
 REDRAWN WITH CAD  
 3/9/85 B.D.

SW1	SW2 RANGE	SW3	SW4
1 NORM 2 OFF 3 REV	1 10V 2 1V 3 100mV 4 10mV 5 1mV	1 ON 2 OFF	1 CAL 2 NULL 3 ZERO



THESE COMPONENTS FITTED ON 2003N NULL CALIBRATOR VERSION ONLY

1	2	3	4	5	6	7	8	9	0
0	0	0	0	0	0	0	0	0	0
1	2	3	4	5	6	7	8	9	0

0	0	0	0	0	0	0	0	0	0
1	6	1	5	1	4	1	3	1	2
2	1	1	1	1	1	1	1	1	1
3	1	1	1	1	1	1	1	1	1
4	1	1	1	1	1	1	1	1	1
5	1	1	1	1	1	1	1	1	1
6	1	1	1	1	1	1	1	1	1
7	1	1	1	1	1	1	1	1	1
8	1	1	1	1	1	1	1	1	1
9	1	1	1	1	1	1	1	1	1
+	1	1	1	1	1	1	1	1	1
-	1	1	1	1	1	1	1	1	1
AMP INPUT	1	1	1	1	1	1	1	1	1
ZERO CORRECT	1	1	1	1	1	1	1	1	1
REF. V (6.2V)	1	1	1	1	1	1	1	1	1
>	1	1	1	1	1	1	1	1	1
<	1	1	1	1	1	1	1	1	1
+15V	1	1	1	1	1	1	1	1	1

VR6 = 9x1KΩ 0.02% RATIO  
 9x100Ω 0.05% RATIO  
 9x10Ω 1% RATIO  
 9x1Ω 5% RATIO  
 9x0.1Ω 10% RATIO

**TIME ELECTRONICS LTD**

THE CONTENTS OF THIS DRAW MUST NOT BE REPRODUCED OR USED IN ANY MANNER WITHOUT PRIOR WRITTEN CONSENT OF TIME ELECTRONICS LIMITED

DATE 9/1/75

SCALE

APPROD

E.I.C.

DRAWN

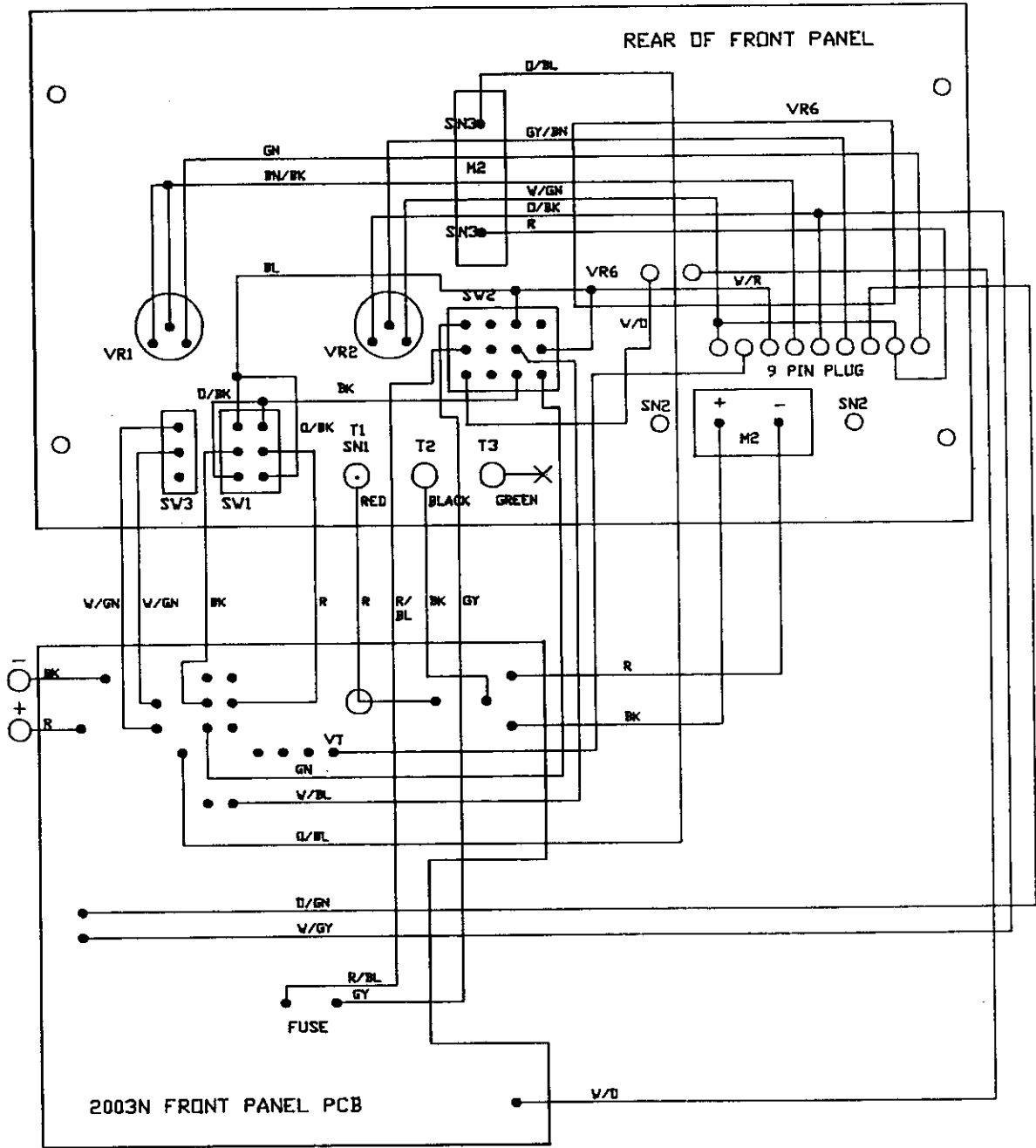
TITLE

2003 CIRCUIT DIAGRAM

DRG NO. 1010C01

P.C.B. PINS

ISSUE	CHANGES
B	Redrawn with CAD 19/6/85 B.O.



TIME  
ELECTRONICS  
LTD

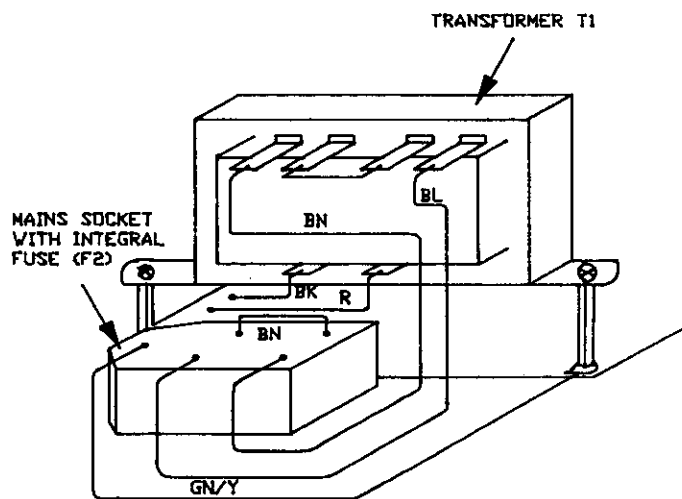
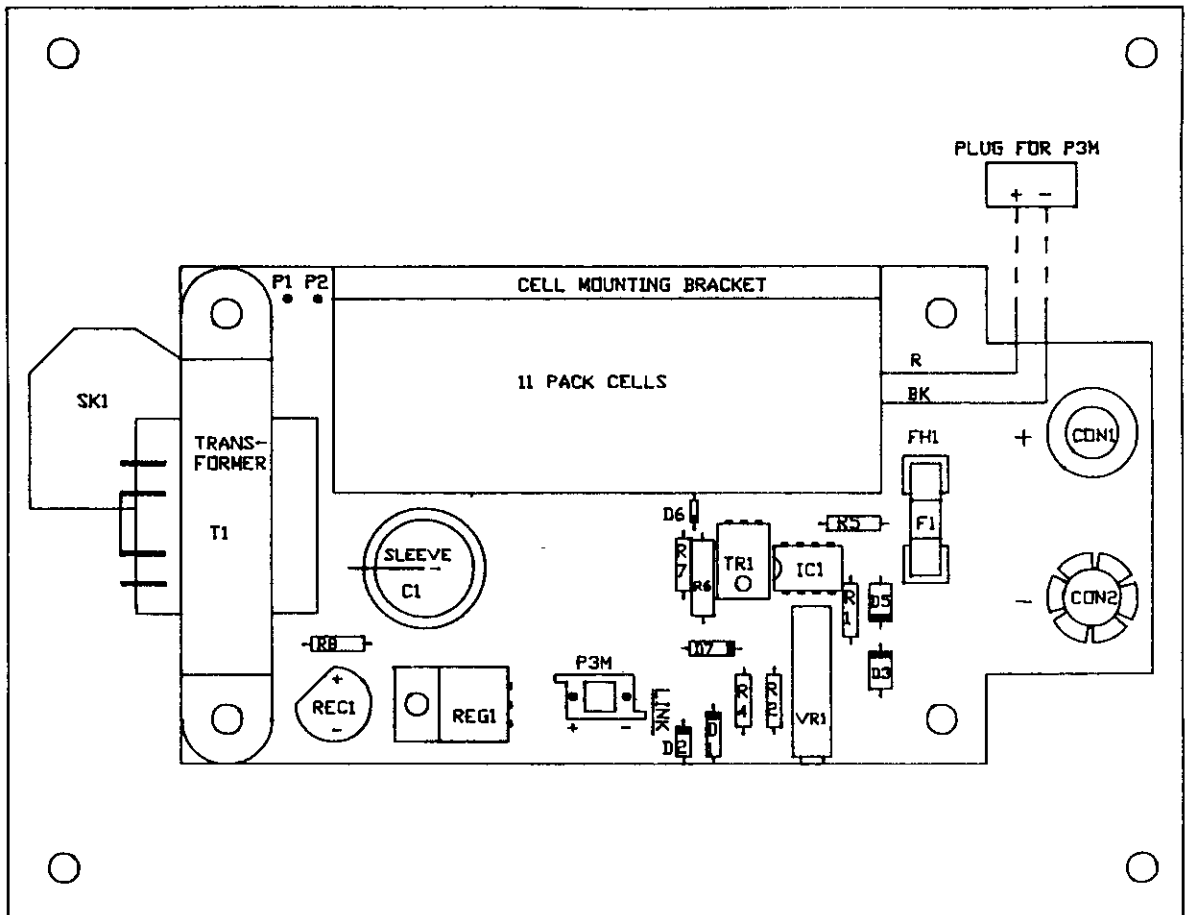
DRAWN	R.A.M.	TITLE
APPRD		
SCALE		
DATE	5/1/79	


2003N GENERAL ASSEMBLY: WIRING DIAGRAM

THE CONTENTS OF THIS DRG MUST NOT BE COPIED OR USED WITHOUT PRIOR WRITTEN CONSENT OF TIME ELECTRONICS LIMITED

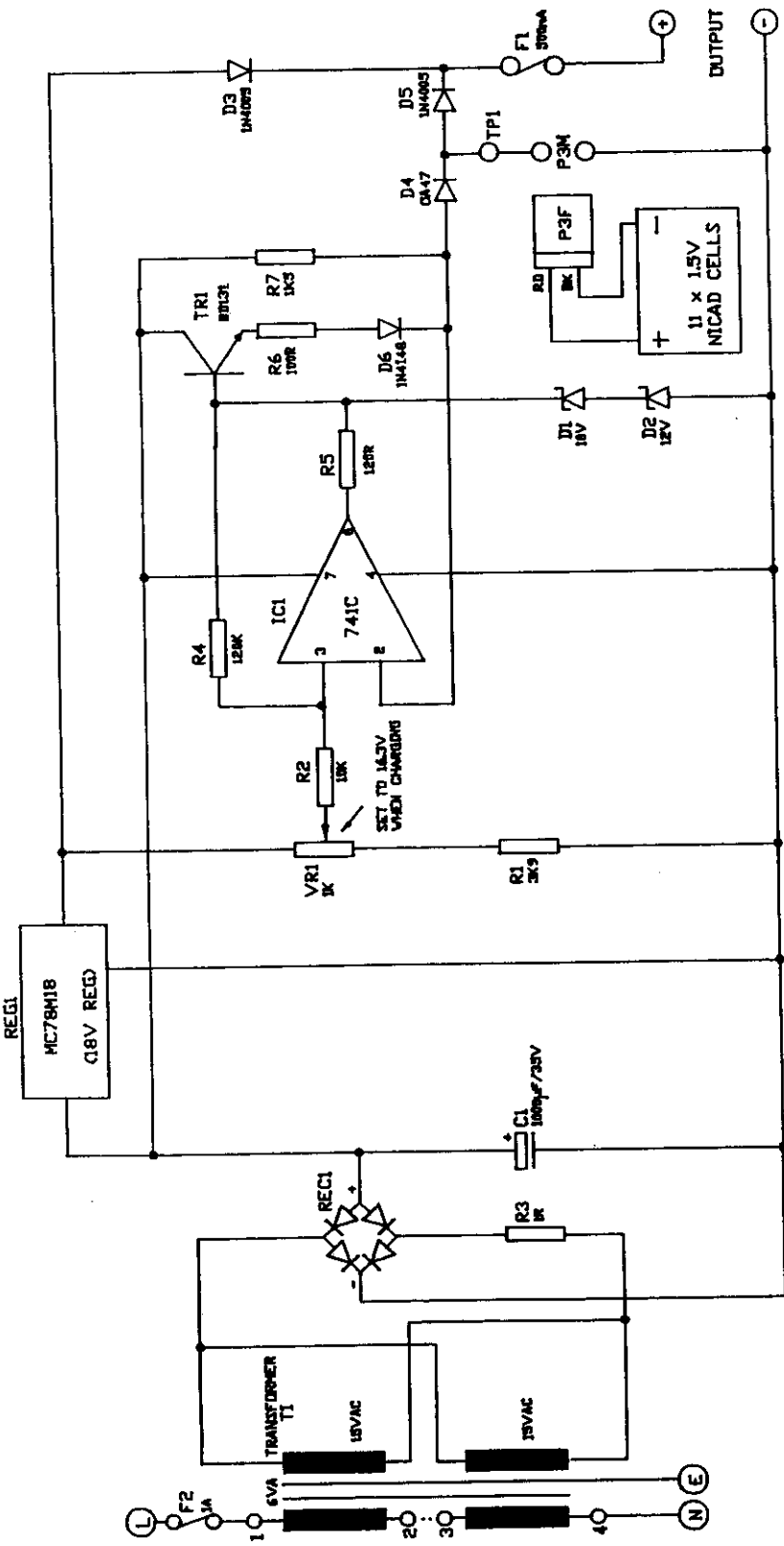
DRG No 1010W01

ISSUE	CHANGES
C	Redrawn with CAD 18.6.85 B.O.




 <b>TIME ELECTRONICS LTD</b>	<b>DRAWN</b> STONE	<b>TITLE</b>	
	<b>APPRD</b>	RECHARGEABLE BATTERY UNIT PU2R; GENERAL LAYOUT	
	<b>SCALE</b> 1 : 1	THE CONTENTS OF THIS DRG MUST NOT BE COPIED OR USED WITHOUT PRIOR WRITTEN CONSENT OF TIME ELECTRONICS LIMITED	
	<b>DATE</b> 26/10/77	DRG No	1010L04

ISSUE C  
 CHANGES Redrawn with CAD 19/6/85



POINTED LINE SHOWS 240V TRANSFORMER CONNECTION  
 FOR 110V LINK 1 TO 3 AND 2 TO 4,  
 REMOVE LINK BETWEEN 2 AND 3

	TIME ELECTRONICS LTD	DATE	19/10/77	DRG No	1010C02
	TITLE RECHARGEABLE BATTERY UNIT PU2R: CIRCUIT DIAGRAM	SCALE APPRD DRAWN STONE	DATE 19/10/77	THE CONTENTS OF THIS DRG MUST NOT BE COPIED OR USED WITHOUT PRIOR WRITTEN CONSENT OF TIME ELECTRONICS LIMITED	DRG No 1010C02